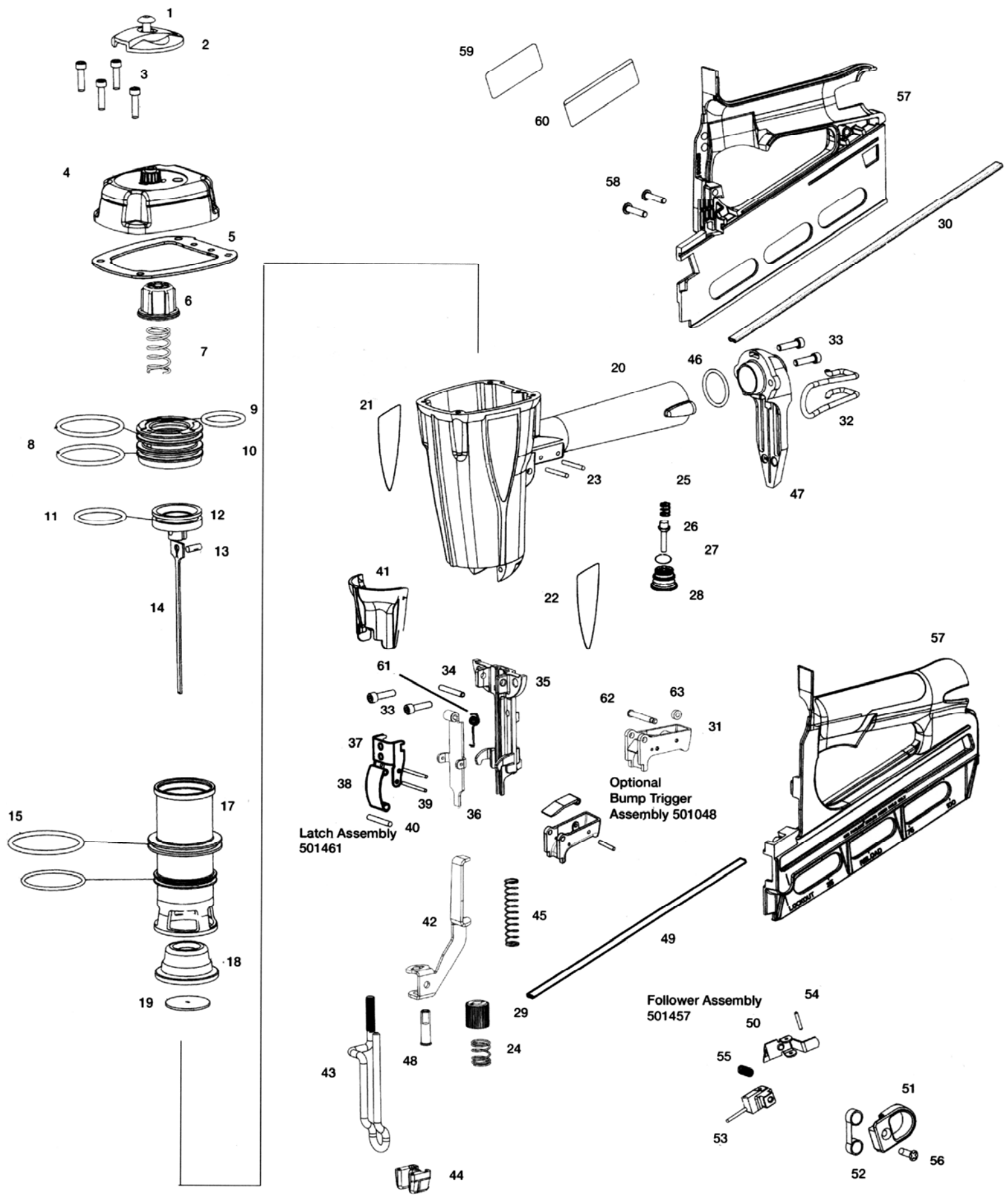


FN16A 65 Gauge Brad Nailer



FN16A 65 Gauge Brad Nailer

Ref No	Part No	Description
1	501043	T.H.S.C.S 1/4-20 x 1/2
2	500921	Deflector
3	501332	S.H.C.S 10 x 24 x 7/8
4	500909	Cap
5	500927	Gasket
6	500913	Piston Stop
7	501288	Spring, Main Valve
8	091023	O - Ring
9	095406	O - Ring
10	501277	Main Valve Assembly
11	405430	O - Ring
12	500911	Piston
13	401130	Driv Lok Pin
14	500920	Driver Blade
15	091863	O - Ring
16	500369	O - Ring
17	500907	Sleeve
18	500917	Bumper
19	501404	Blade Seal
20	500908	Housing
21	501141	Lable, Logo R
22	501140	Lable Logo L
23	026133	Roll Pin
24	501757	Spring
25	097748	Spring
26	097746	Pin Valve
27	092174	O - Ring
28	401958	Valve Body
29	501755	Adjustment Knob
30	500937	Brad Chanel
31	501039	Sequential Trigger
32	500940	Wire Belt Hook
33	501324	S.H.C.S 10-24 x 3/4
34	501316	Pin Dowel
35	501301	Nose
36	500918	Front Plate
37	500924	Latch Clamp Spring
38	500923	Clamp Spring
39	404659	Roll Pin
40	402730	Pin
41	500939	Quick Clear Cover
42	501754	Upper W.C.E
43	501753	Lower W.C.E
44	500936	No-Mar Tip
45	501414	Spring, Magazine
46	402963	O - Ring
47	500928	End Plug
48	501756	Pin
49	501362	Rail, Magazine
50	500933	Follower

Ref No.	Part No.	Description
51	501150	Pull Back Lever
52	500944	Negator Spring
53	501148	Follower Core Assembly
54	501225	Follower Pin
55	500934	Spring, Follower
56	501224	Screw 8 - 16 x 5/8 Plastite
57	501458	Right & Let Handle Kit
58	501223	Screw 8 - 16 x 7/8 Plastite
59	501311	Nameplate
60	501302	Warning Lable
61	501398	Torsion Spring, Quick Clear
62	402669	Trigger Pin
63	402668	Retaining Ring